



LESSON 2 FOR LEADERS

INVITATION

We invite you to pause, listen, and shift your gaze toward the Father ...

LESSON AT A GLANCE

WONDER TRUTH: Jesus Teaches Us How to Pray

SCRIPTURE: Proverbs 2

WORD OF WONDER: From Proverbs 4:5

Read [Proverbs 2:1–15](#).

“Go to bed, son. It’s OK to go to bed.” I wonder if I was the only kid whose mom told him not to finish his homework. I remember sitting at the kitchen table for hours, hunkered over a math book. In tears. I would reread the lesson and stare at the equation, but some nights the answer just wouldn’t come.

The risk of any endeavor is that you won’t find what you’re looking for. The athlete who falls short of a championship. The entrepreneur whose business won’t grow. The musician who can’t get the song to match the music in her head. How maddening!

But the search for godly wisdom isn’t like that. We are to search for it as we would search for hidden treasure. And when we do? “Your heart will become wise. Your mind will delight in knowledge” ([Proverbs 2:10](#)). Our efforts are never wasted on the pursuit of God—our time is never squandered— because God is a giver. God gives wisdom when we need it, whether it’s the knowledge needed to make good decisions or the understanding needed to help kids learn their place in God’s big story.

Each new day is an opportunity to seek God with our whole hearts. Will you seek Him today?

—**Michael Rade**

Care & Support Ministry Assistant; Itinerant Preacher

Contributor to Wonder Ink

DID YOU KNOW?

FOUNDATION BUILDING BLOCKS

WHO?

There are several collections of sayings in Proverbs, but Solomon is credited with writing [Proverbs 1:1–22:16; 25–29](#). Additionally, the “sayings of wise people” beginning in [Proverbs 22:17](#) are frequently attributed to Solomon.

WHAT?

[Proverbs 2](#) is phrased as parental advice to a son who is encouraged to seek wisdom until it is found. It presents a “two-ways” theology, where the father warns his child to walk the righteous path instead of following paths that lead to sin.

WHERE?

During Solomon’s rule, Israel was united as a single kingdom under one ruler. This would not remain the case, for as [Proverbs 2:22 \(NIV\)](#) warns, “the wicked will be cut off from the land,” which means losing access to the land promised to Abraham’s family

WHEN?

Solomon ruled in a time of prosperity for the nation of Israel. With God’s blessing, he oversaw construction of an ornate and richly appointed temple of God. The temple demonstrated God’s presence with His people.

CONNECTING TO GOD’S BIG STORY

[Proverbs 2](#) says wisdom is like a treasure that has been hidden and must be found. But the mysterious plans of God were revealed in the coming of Jesus, “in whom are hidden all the treasures of wisdom and knowledge” ([Colossians 2:3, NIV](#)).



Curiosity

LESSON 2 EARLY CHILDHOOD

Spark curiosity, encourage exploration, and get kids thinking about the wonder of God.

LESSON AT A GLANCE

WONDER TRUTH: God Gives Wisdom When We Need It

SCRIPTURE: Proverbs 2

WORD OF WONDER: From Proverbs 4:5

Curiosity Activity: Bottled Up Treasure

SUPPLIES: clear plastic bottle (any size), rice, magnets, real coins or foil or other small metal objects, food coloring (optional)

Before kids arrive, fill a clear, clean, plastic bottle with uncooked rice and a few small, metal objects such as coins, balls of foil, soda can tabs, or paper clips. Make sure the lid is screwed on tightly. If you have a lot of kids in the group, make several bottles. Set out magnets near the bottles. Test the activity ahead of time to ensure the magnets are strong enough to move the metal objects when you hold the magnets to the outside of the bottle.

Hold up the bottle for kids to see. **This may look like just a bottle of rice, but there's hidden treasure inside! In order to find it, you have to use a magnet to draw the treasure out to where we can see it! We're going to take turns using the magnet to draw the treasure out of the sand. When it's your turn to come up and try, drag the magnet around the outside of the bottle until you see the treasure.** Call kids up one at a time to use the magnet to find the treasure in the bottles. You will have to roll and move the bottle around as kids try to attract the treasure. Be sure to shake it after each kid finds the treasure.

That was fun seeing what treasures you found with the magnets! Today we're going to learn about how we can search for and find God's wisdom the way we searched for this treasure!


 Wonder Ink

 Belief

 LESSON 2 **EARLY CHILDHOOD**

Guide kids into knowing God more deeply, exploring His big story, and marveling at His wonder.

LESSON AT A GLANCE

WONDER TRUTH: God Gives Wisdom When We Need It

SCRIPTURE: Proverbs 2

WORD OF WONDER: From Proverbs 4:5

Prayer of Invitation

Before entering into God's big story, lead kids in a prayer of invitation. Use the prayer here or your own words:
Dear God, thank You for each person in this room. Holy Spirit, reveal Your wisdom to each of us and help us make wise choices. Thank You for Your love and for giving us wisdom when we seek it. In Jesus' name, Amen.

God's Big Story

Pull out the Bible

Ask: What is this? *The Bible*

Ask: Why is the Bible important? *Because it is God's word. Everything in it is true. It really happened.*

TELL THE BIBLE STORY

Read from Proverbs 2:1-5 & 10 below and/or use the script below. If you use the script, the pictures are included in your Belief bag.

My son, accept my words. Store up my commands inside you.

² Let your ears listen to wisdom. Apply your heart to understanding.

³ Call out for the ability to be wise. Cry out for understanding.

⁴ Look for it as you would look for silver.

Search for it as you would search for hidden treasure.

⁵ Then you will understand how to have respect for the LORD.

You will find out how to know God.

¹⁰ Your heart will become wise. Your mind will delight in knowledge.

Script:

You can help tell the story today! Look at these pictures I have. When I get to the part of the story that mentions each picture, you can help me by pointing to the correct picture.

Our story today is from the book of Proverbs. A proverb is a short saying that shares a truth that helps us live right. The book of Proverbs has lots of helpful advice to share so we can live the way God wants us to! Today's part of God's big story shows us how important wisdom

10:45 Service

is. Wisdom means knowledge and understanding. *Wisdom* helps us know what God wants us to do!

In **Proverbs 2**, King Solomon tells us to listen to God. Can you find two pictures that relate to this? (Pause while kids find the correct pictures.) That's right! The picture of King Solomon and the listening ear. King Solomon says we should be willing and ready to hear what God wants to teach us! Are you ready and listening now?

King Solomon says we should ask God for wisdom and search for it the way we would search for lost treasure! What could we use to search for something? (Pause to give kids time to find the right picture: binoculars.) That's right! Binoculars could help us! If I were searching for treasure, I would search excitedly and quickly! That's how we should search for God's wisdom: with excitement and energy. If you knew there was treasure in your backyard, I bet you wouldn't stop searching and digging for it until you found it. Solomon says God's wisdom is just as important as treasure. Do you see a picture that relates to this? (Pause to give kids time to find the picture: the diamond.) That's right! The diamond is a treasure!

God is the One who gives all wisdom. When we search for it, we will find it and know how to live for God and how to respect Him. God will give us wisdom when we need it.

The book of Proverbs also says when we find God's wisdom, we will have wise hearts and joy in knowing God's plan for us. Do you see two pictures that remind you of this? (Pause for kids to find the two pictures: heart and smiley face.) Good! You found the heart and the smiley face. We know God's way is best, and wisdom helps us live the way God wants us to live and keeps us safe. Solomon says that people who don't put God first and look for His wisdom are foolish and wrong. We can go to God anytime we need wisdom, because God always gives wisdom when we need it!

Word of Wonder

WORD OF WONDER

Get wisdom and get understanding. Don't forget my words or turn away from them.

— Proverbs 4:5

Say the Word of Wonder with the kids several times, demonstrating the motions for them and encouraging kids to join in.

Gather kids to discuss these questions:

- **How is God's Word like treasure?**
- **Where can we find God's wisdom?**



Faith

LESSON 2 EARLY CHILDHOOD

Help kids see the wonder of God's story and how it connects to their own story.

LESSON AT A GLANCE

WONDER TRUTH: God Gives Wisdom When We Need It

SCRIPTURE: Proverbs 2

WORD OF WONDER: From Proverbs 4:5

Game: Dance a Move

Have kids stand in a circle. **Each of you will think of a short dance move and do it for everyone to see and learn. If it's complicated, you may have to do it with us and teach us! Then the next person will go, but before she does her own move, she will do the moves that the person or persons before her did. The last person will do all the moves! It may be hard to remember all the moves that come before you, but it's OK! You can ask for help! Anyone from the group can jump in and help you anytime by doing the move to remind you! It's OK if you forget.**

If kids need help, give them some simple dance move ideas such as clapping your knees twice and then hands twice, doing the "disco move," "flossing," or any other simple moves you can think of. Don't force kids to participate if they don't want to. They can always watch and jump in as helpers for those participating.

Great job remembering all those dance moves! Those were some pretty cool moves. And great job asking for help when you didn't remember the next move. Sometimes we need help to know what to do next. We can always ask God for help and wisdom to know what to do. He is always there for us, and He will always give us wisdom when we need it.



LESSON 2 EARLY CHILDHOOD

Create space for God to remind kids they are known, loved, led, and their lives can tell of God's wonder.

LESSON AT A GLANCE

WONDER TRUTH: God Gives Wisdom When We Need It

SCRIPTURE: Proverbs 2

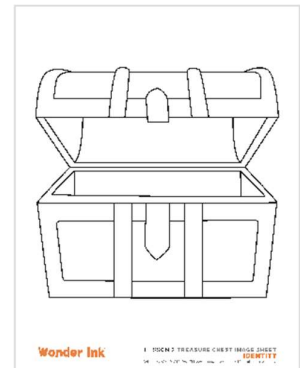
WORD OF WONDER: From Proverbs 4:5

Responding in Worship: Give It to God

SUPPLIES: markers or other coloring utensils, large whiteboard or blank posterboard, tape

Wonder Ink RESOURCES: [Jewel Hunt Question Sheet](#) (1 jewel per kid, optional), [Treasure Chest Sheet](#) (optional)

Print the blank jewels from the [Jewel Hunt Question Sheet](#) and cut out the jewels so there is one blank jewel for each kid. Draw a large treasure chest using the [Treasure Chest Sheet](#) as a guide or enlarge the image and trace it onto the whiteboard or posterboard. It should be large enough to fit a jewel from each kid inside.



Give each kid a blank jewel and set out coloring utensils. **We learned today that God will give us wisdom when we need it. Think of a situation where you need God's help to know what to do. Maybe you haven't been getting along with your brother or sister. Or maybe you told a lie to your parents. Maybe you lost your favorite toy. When you think of something, draw a picture to show what you need God's help or wisdom for. As you draw, quietly ask God for wisdom in that situation. When you're done, you can come to the front, and I'll help you put tape on the back of it. Then you can put it inside the treasure chest, giving your problem to God. When we give our problems to God and ask Him for wisdom, He will help us!**

When kids bring their jewel pictures, help them put a piece of tape on them and put them inside the treasure chest.

10:45 Service

Prayer and Blessing

After the kids finish their activity, pray with them, thanking God for giving us wisdom. Tell them to point to their head when you say the word *wisdom*.

Dear God, thank You for giving us wisdom (*point to head*) and showing us how to live. Thank You for leading us with Your Holy Spirit in all situations. Help us remember to always turn to You and seek Your wisdom (*point to head*). In Jesus' name, Amen.

Encourage the kids to hold their hands out in front of them, with palms up, as if their hands were open to receive something. Tell them to listen and receive the blessing as you speak it over them.

Blessing: May you search high and low for wisdom from God every day. May your ears be quick to listen to wisdom and your heart be quick to understand it. And may you always walk in God's good ways.